

USER MANUAL



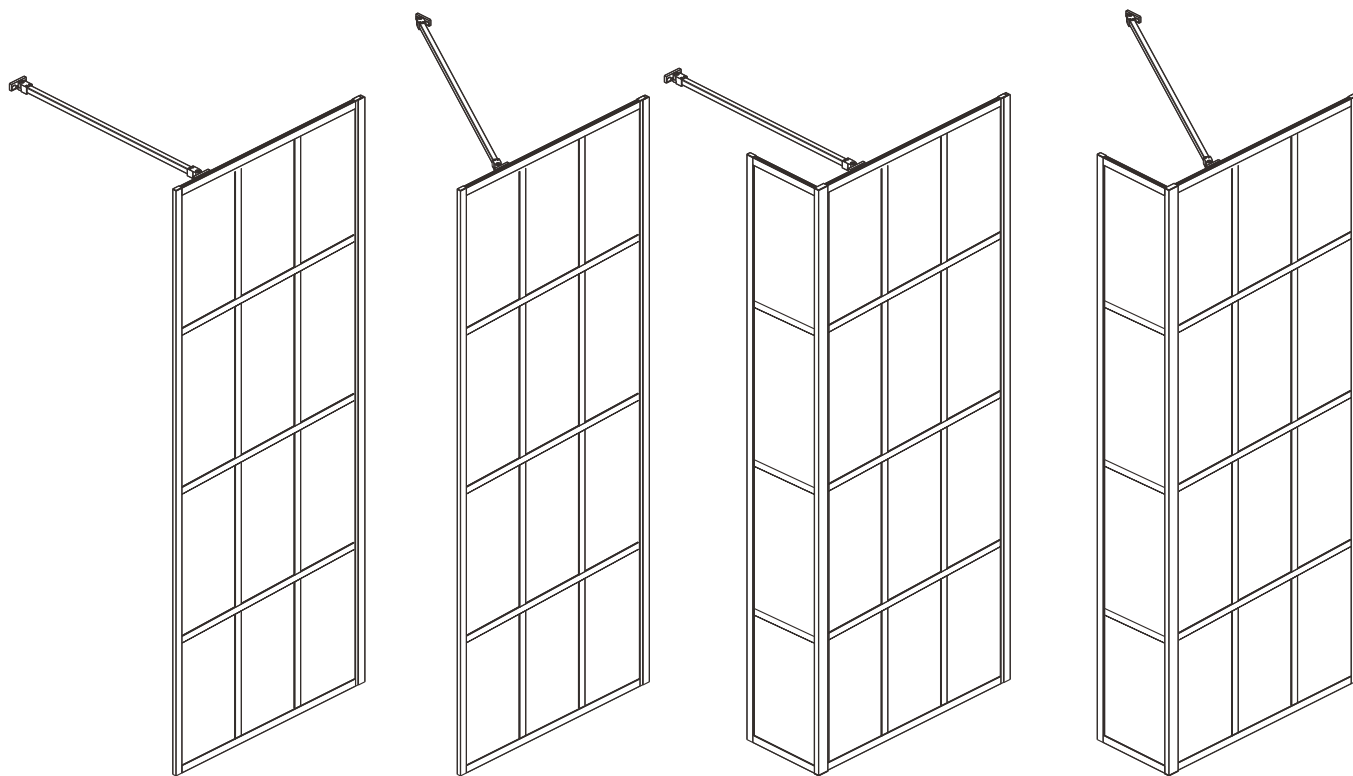
Thank you for choosing Better Bathrooms.
Please read this manual before installing your product
and keep for future reference.

better 
bathrooms

PRODUCT NAME – NOVA

PRODUCT CODE – BEBA_26112~BEBA_26117

BEBA_27455 & BEBA_26125



- **Two-person assembly**
- **We always recommend using professional tradespeople to install your product**

Congratulations on your purchase

And welcome to our growing gang of savvy shoppers

We're on a mission to bring you extraordinary bathroom products, for less. From modern to traditional style ceramics, plus the gorgeous fixtures, fittings and furniture to match. So, you can fall in love with your space every single day.

As one of the UK's largest independent bathroom stores, we've received countless awards; including the National Business Awards UK, the Digital Entrepreneur Awards and being placed on The Sunday Times Fast Track 100.

We hope your new product exceeds your highest expectations. However, if you experience any problems, please:

- call our friendly UK call centre on 03303903062 (9am-7pm Monday to Friday, or 10am-4pm Saturday and Sunday), or
- send us a message via **customerservices@buyitdirect.co.uk**

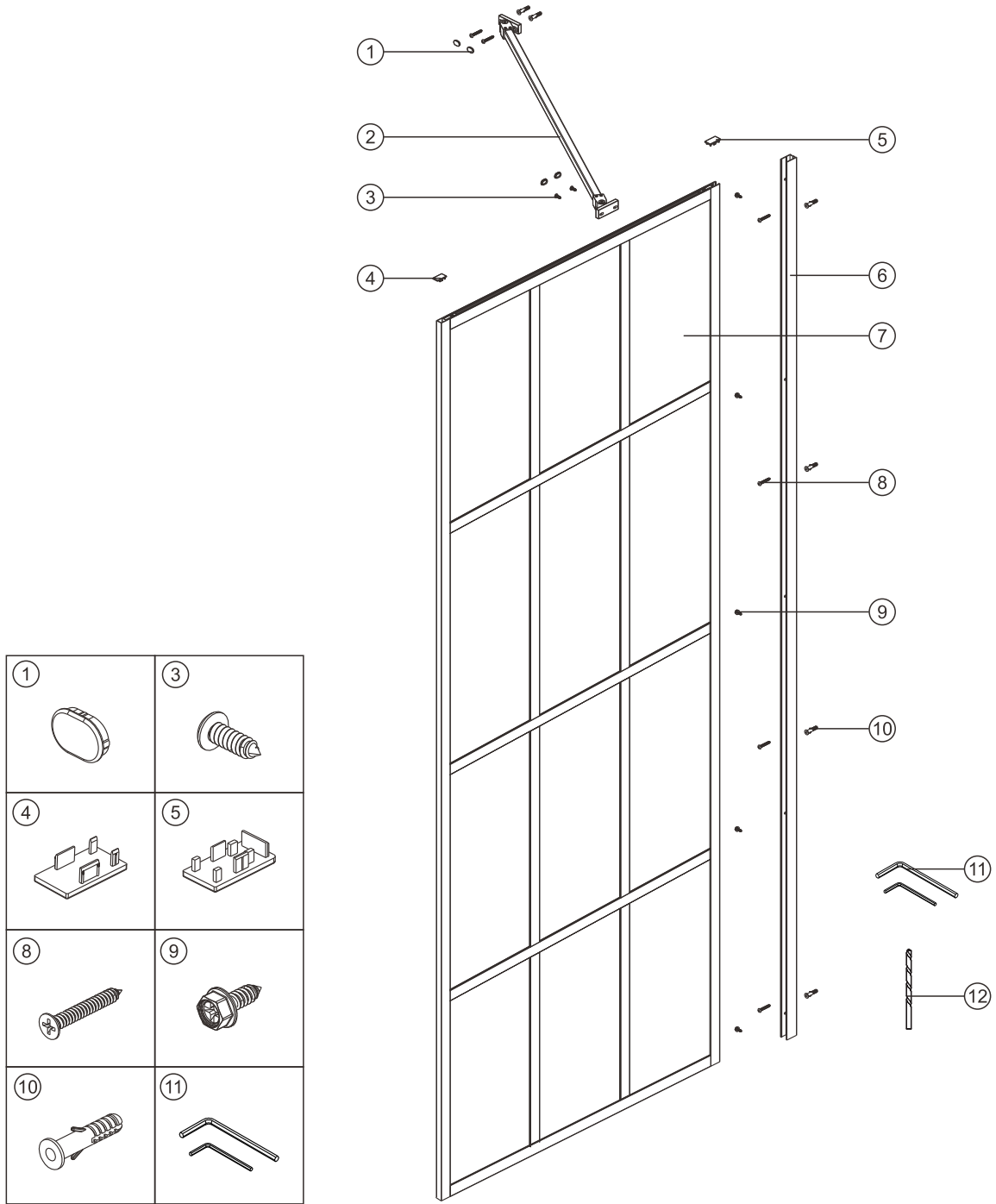
Important information

- Please read these instructions thoroughly and retain for future reference
- Thoroughly inspect your product before proceeding with the installation.
- The warranty will be void if the products installed with a conspicuous defect
- Before commencing drilling please check that no pipes or cables can be damaged.

CAUTION

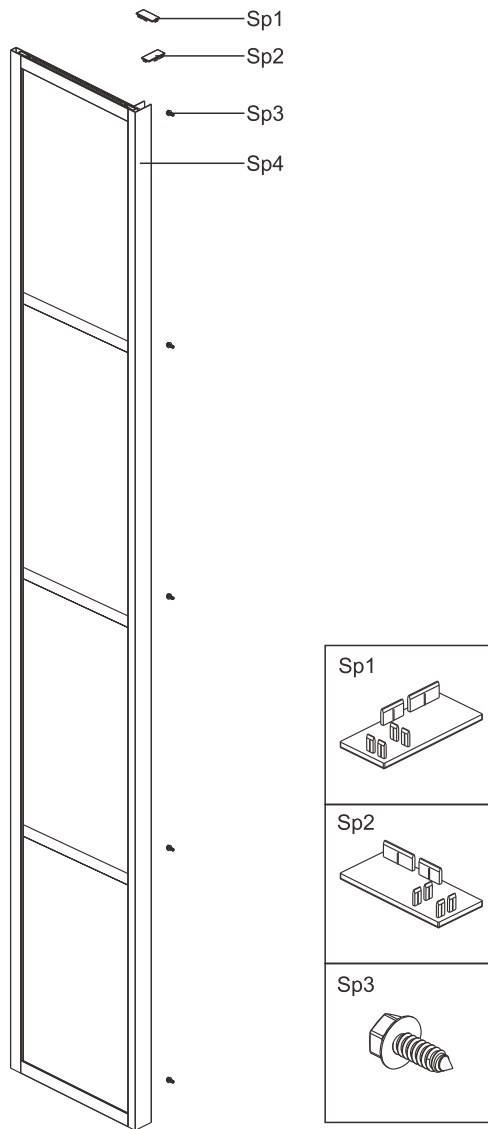
- To prevent leaks, silicone must be applied on the outside of the shower and not on the inside
- Read all instructions carefully before starting the installation
- Save this manual for future reference.

PARTS LIST



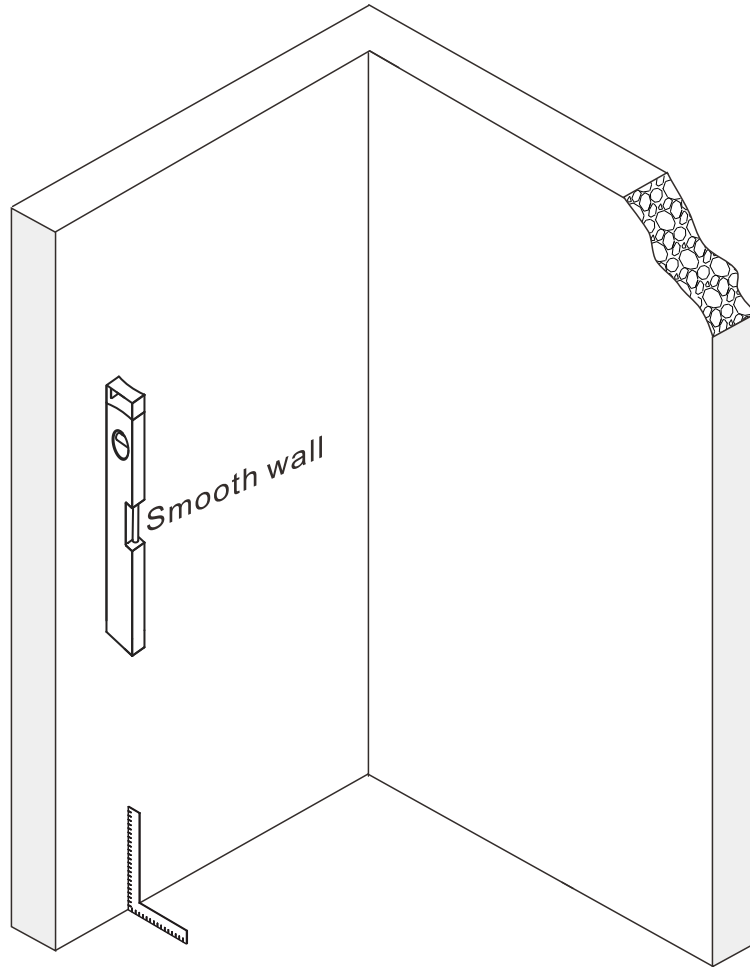
| NO | Qty | Description | NO | Qty | Description |
|----|-----|--------------|----|-----|---------------|
| 1 | 4 | Screw cap | 7 | 1 | Fixed glass |
| 2 | 1 | Bracing bar | 8 | 6 | Screw ST4X30 |
| 3 | 2 | Screw ST4X12 | 9 | 5 | Screw ST4X12 |
| 4 | 1 | Profile cap | 10 | 6 | Wall anchor |
| 5 | 1 | Profile cap | 11 | 2 | Allan key kit |
| 6 | 1 | Wall profile | 12 | 1 | Drill dit |

PARTS LIST

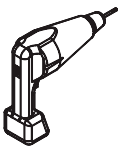


| NO | Qty | Description |
|-----|-----|---------------|
| SP1 | 1 | Profile cap L |
| SP2 | 1 | Profile cap R |
| SP3 | 5 | Screw ST4X12 |
| SP4 | 1 | Fixed glass |

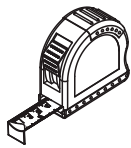
Preparation



Tools required



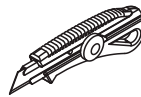
PERCEUSE
DRILL



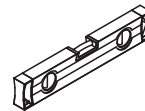
RUBAN À MESURER
MEASURING TAPE



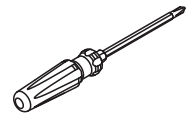
SILICONE
SILICONE



COUTEAU DE PRECISION
PRECISION KNIFE



NIVEAU
LEVEL



TOURNEVIS
SCREWDR



MAILLET
MALLET



ÉQUERRE
SET SQUARE



CRAYON
PENCIL



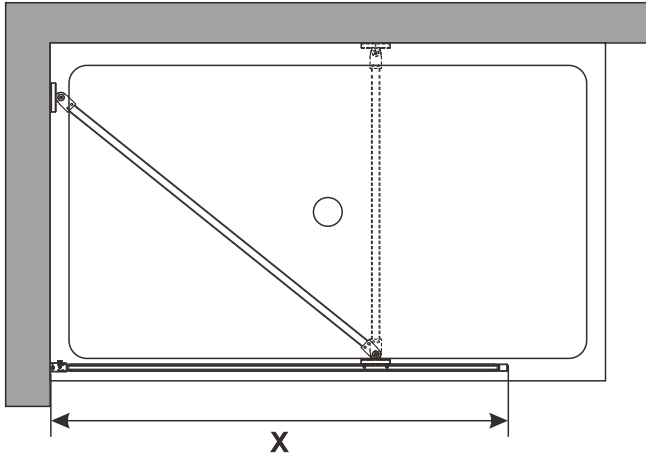
FORETS: 1/8", 3/16" ET 1/4"
*FORET À MAÇONNERIE
DRILL BITS: 1/8", 3/16" ET 1/4"
*MASONRY DRILL BIT



VIS
SCREWS

Installation

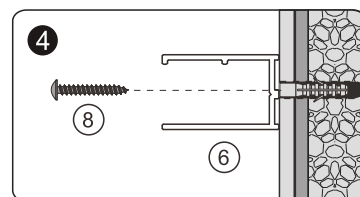
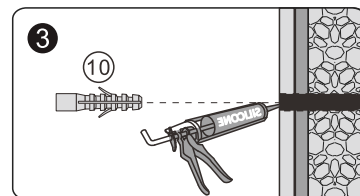
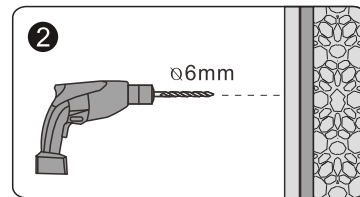
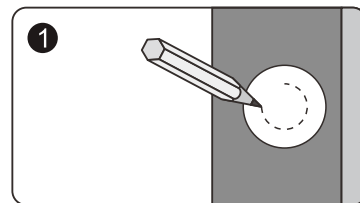
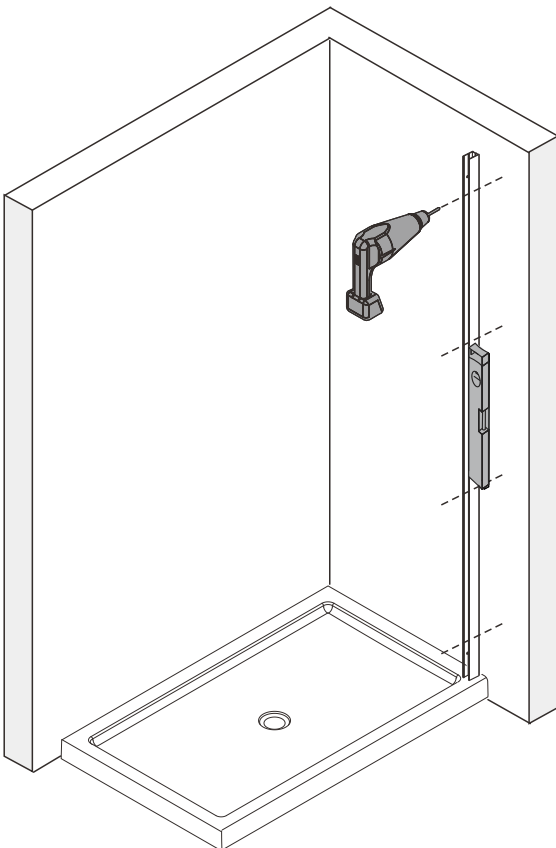
A 01



| size | X,mm |
|------|-------------|
| 700 | 680 - 690 |
| 800 | 780 - 790 |
| 900 | 880 - 890 |
| 1000 | 980 - 990 |
| 1100 | 1080 - 1090 |
| 1200 | 1180 - 1190 |
| 1400 | 1380 - 1390 |

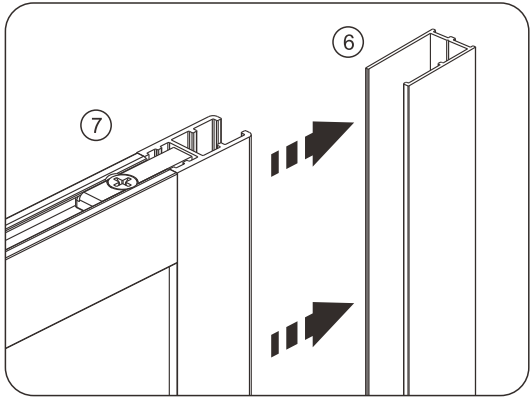
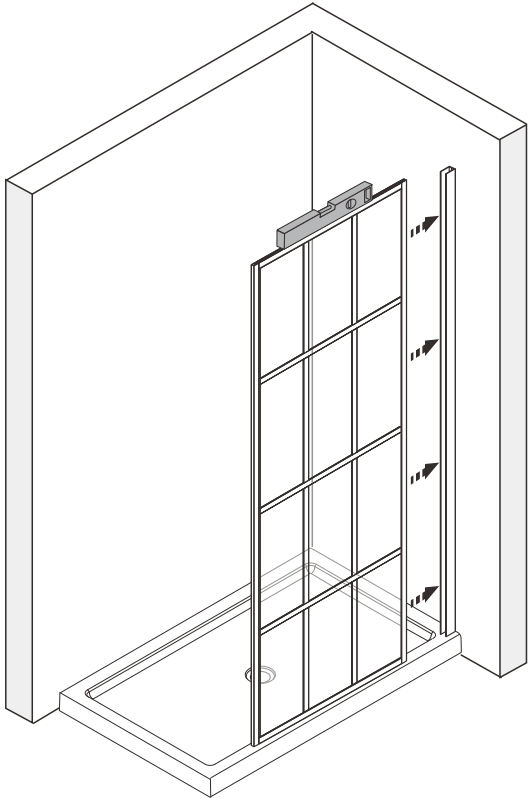
Continue

A 02



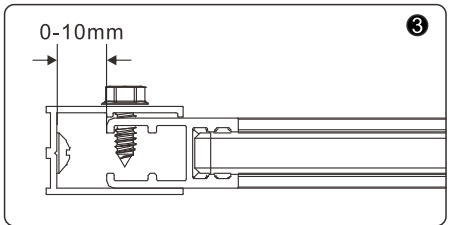
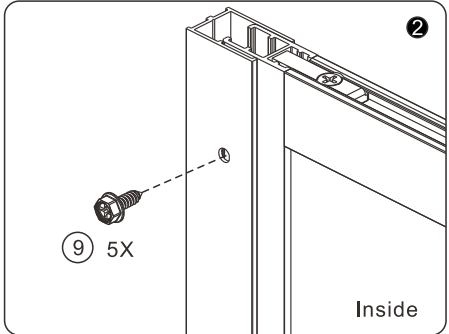
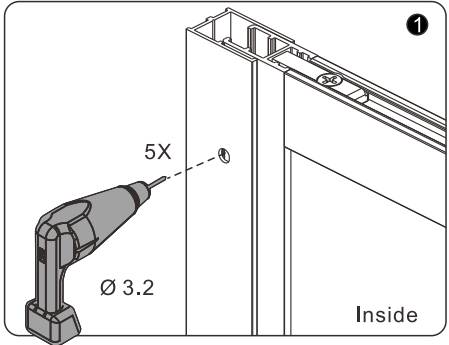
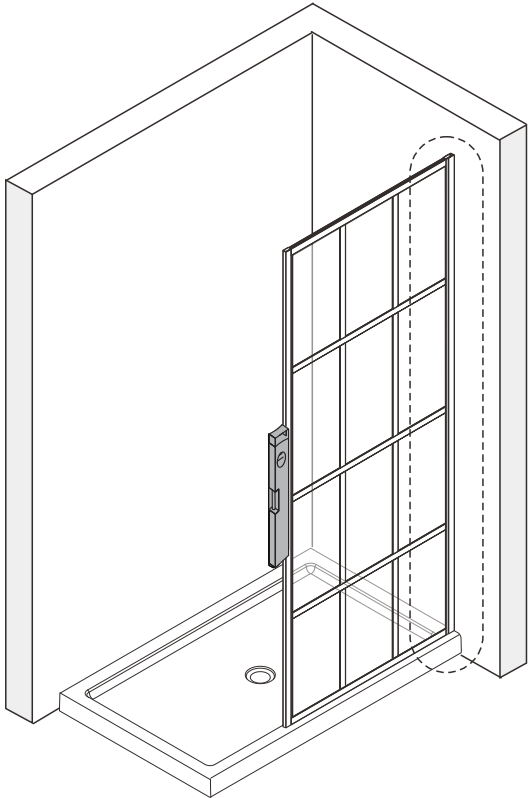
Continue

A 03

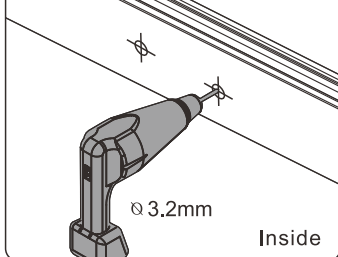
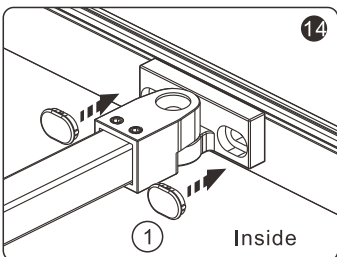
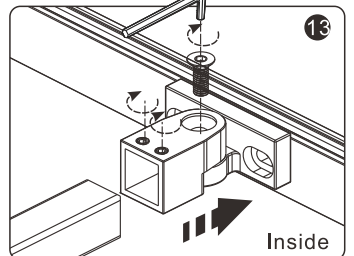
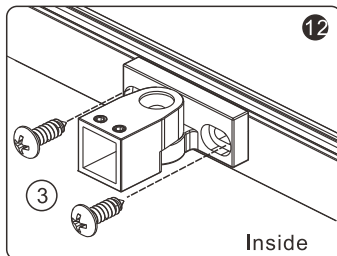
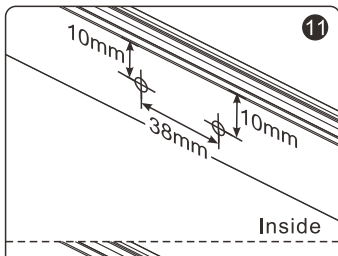
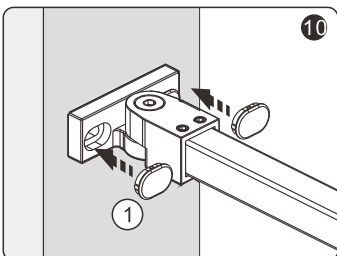
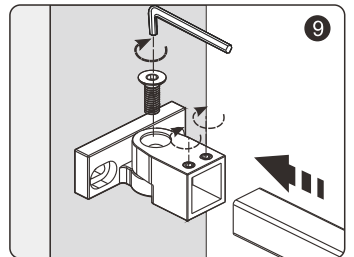
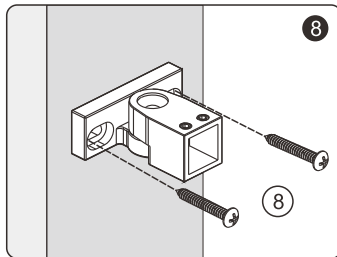
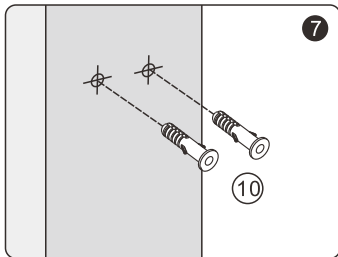
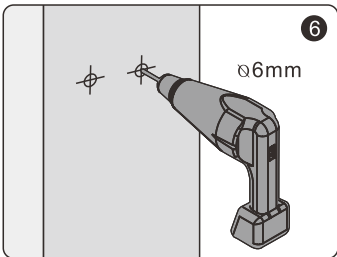
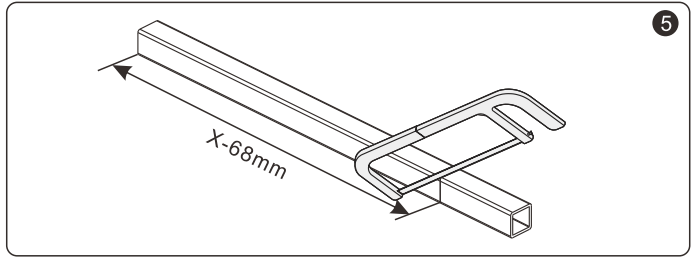
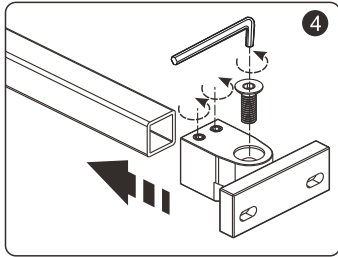
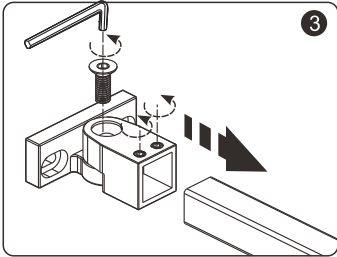
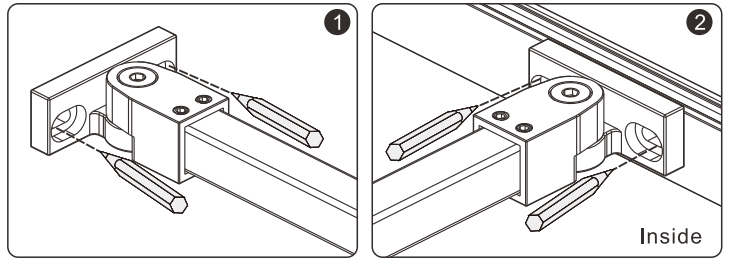
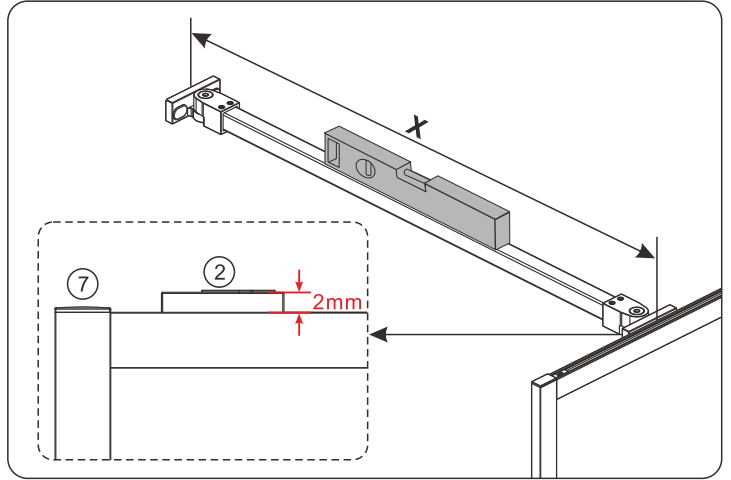
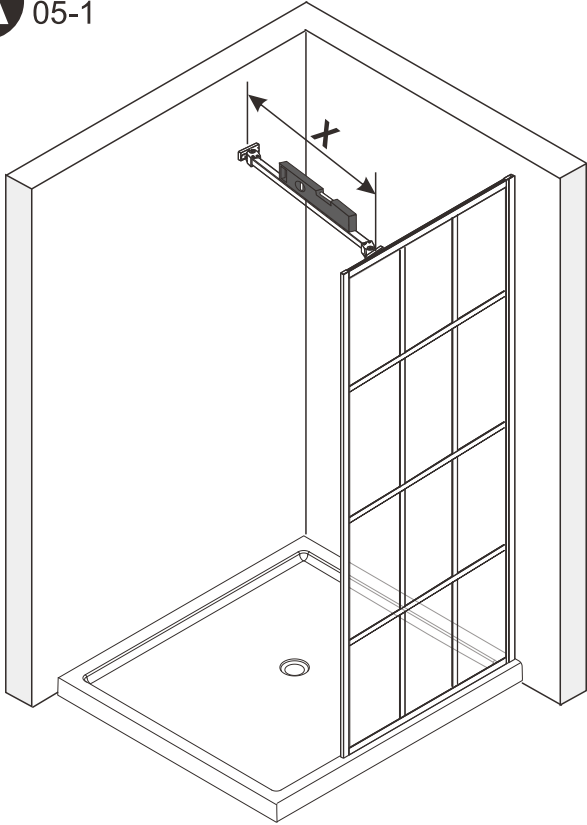


Continue

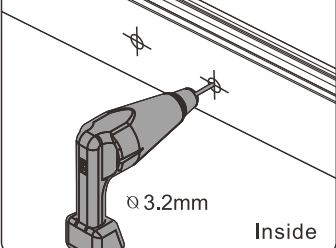
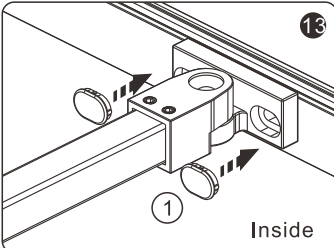
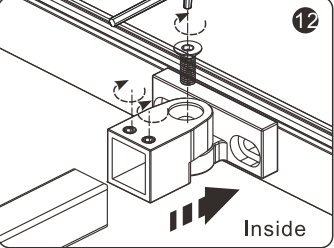
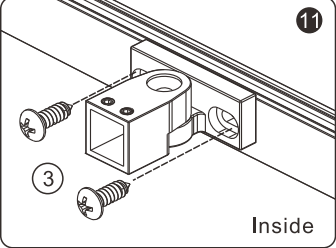
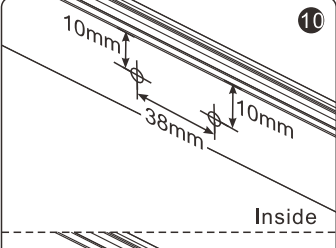
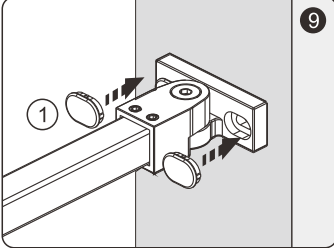
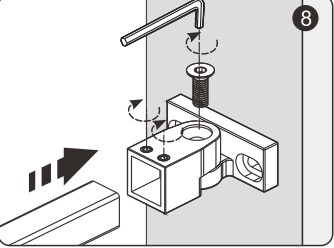
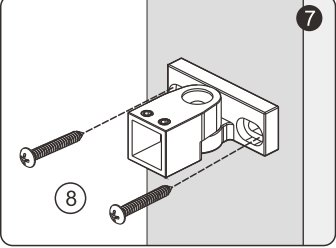
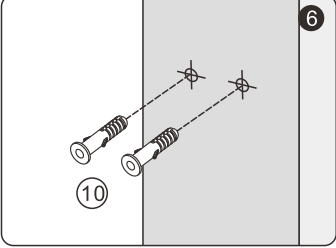
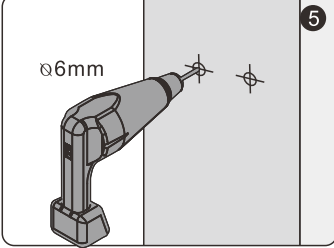
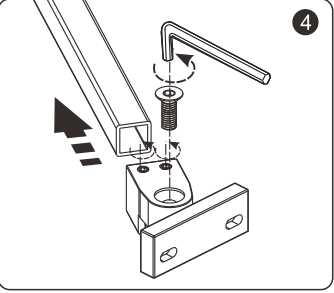
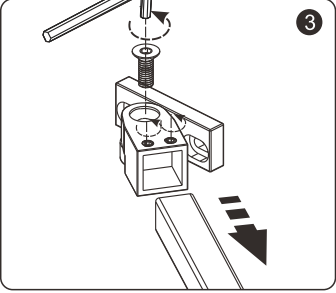
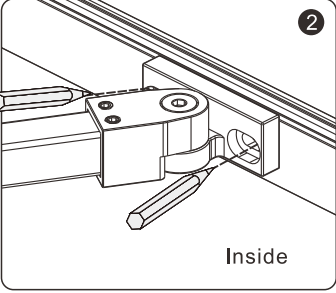
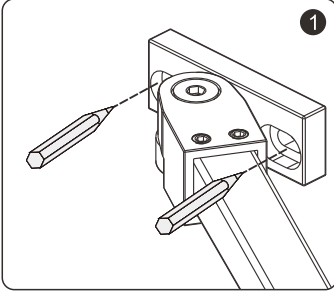
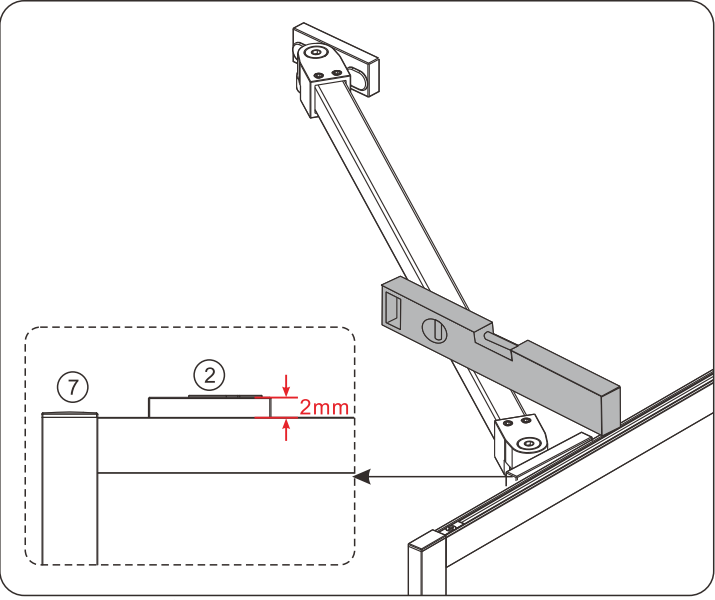
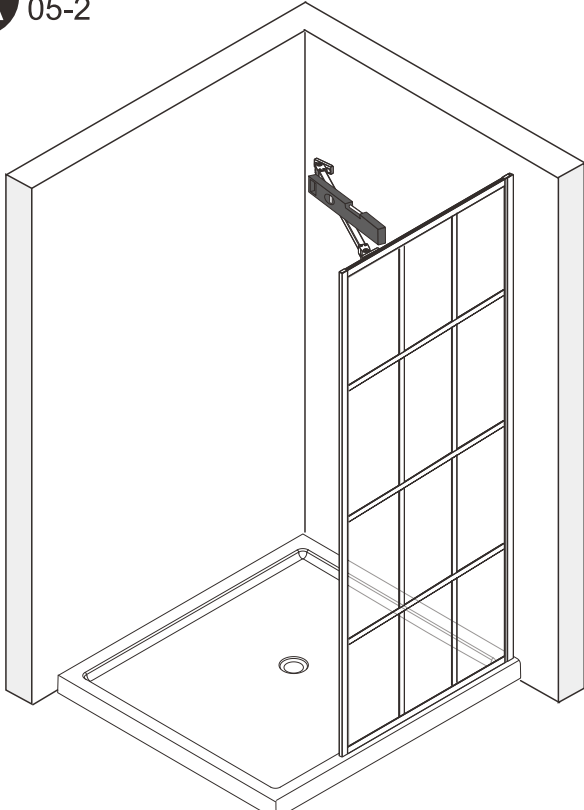
A 04



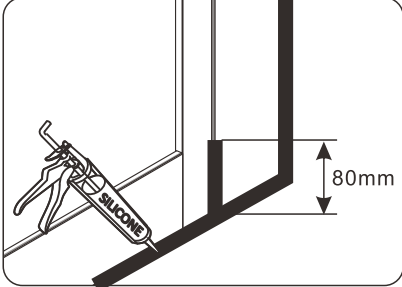
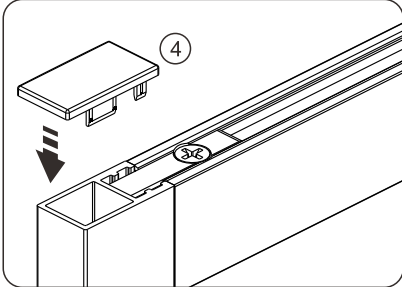
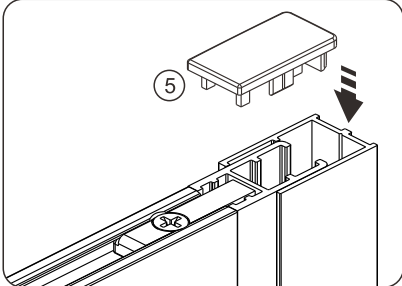
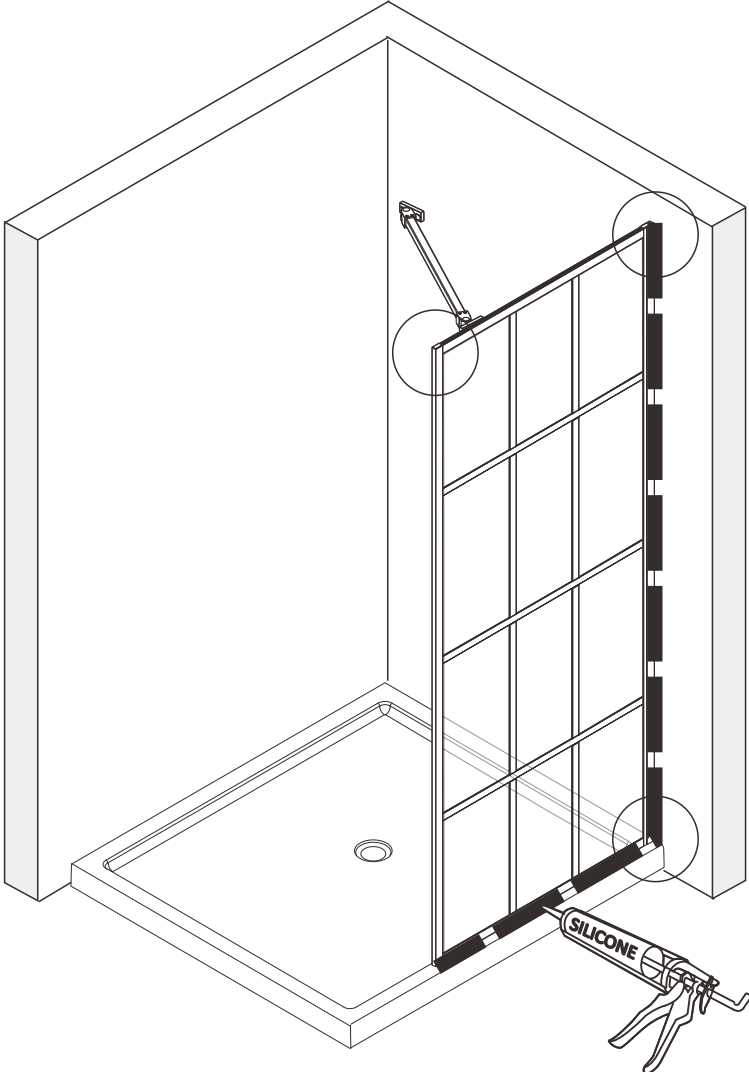
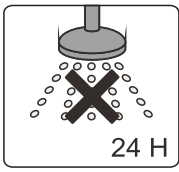
A 05-1



A 05-2

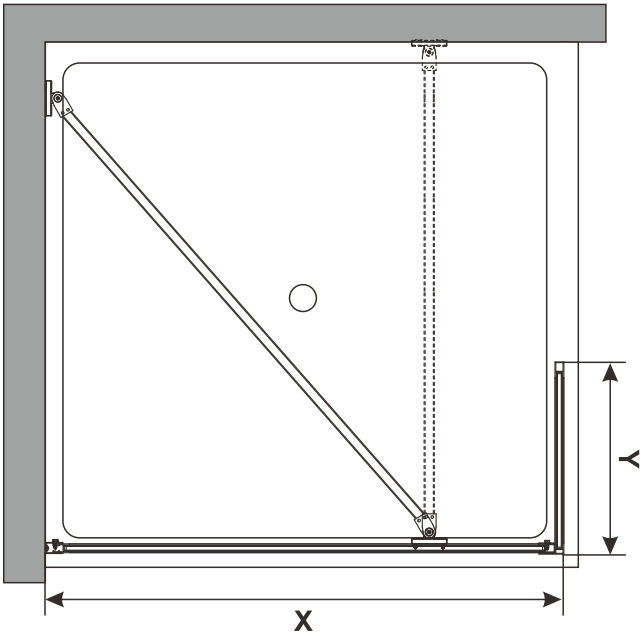


A 06



Installation

B 01

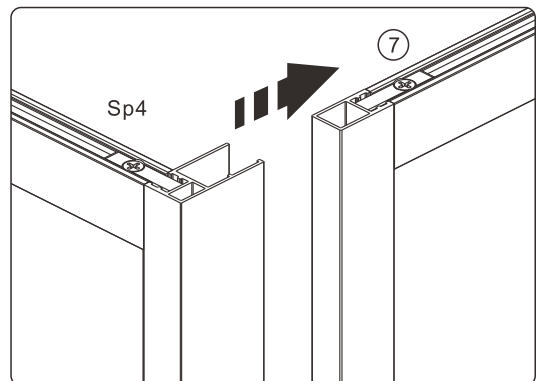
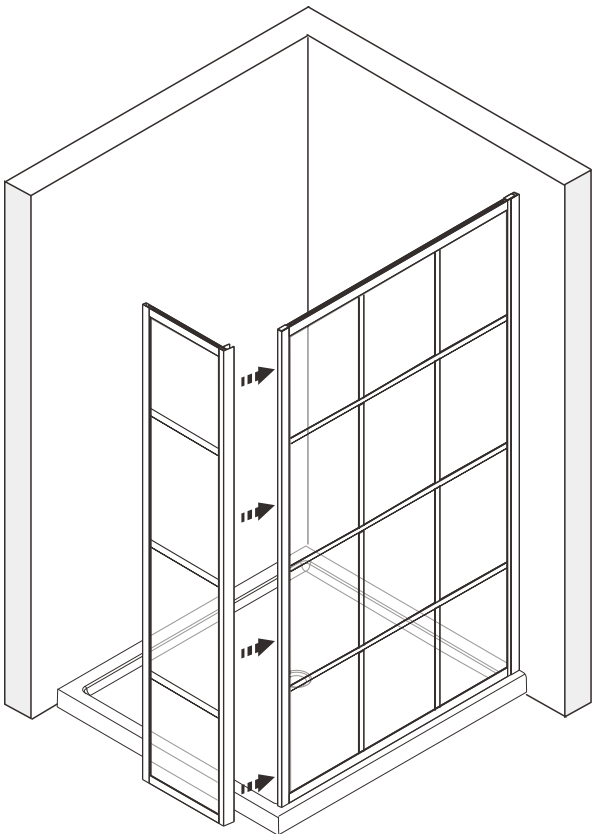


| size | X,mm |
|------|-------------|
| 700 | 680 - 690 |
| 800 | 780 - 790 |
| 900 | 880 - 890 |
| 1000 | 980 - 990 |
| 1100 | 1080 - 1090 |
| 1200 | 1180 - 1190 |
| 1400 | 1380 - 1390 |

| size | Y,mm |
|------|------|
| 300 | 300 |

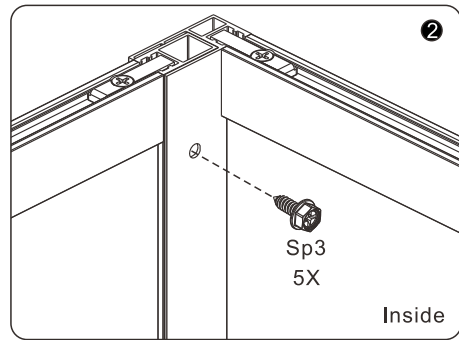
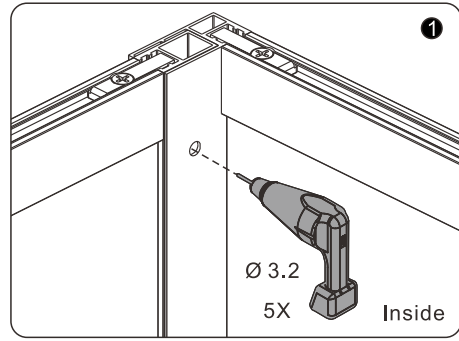
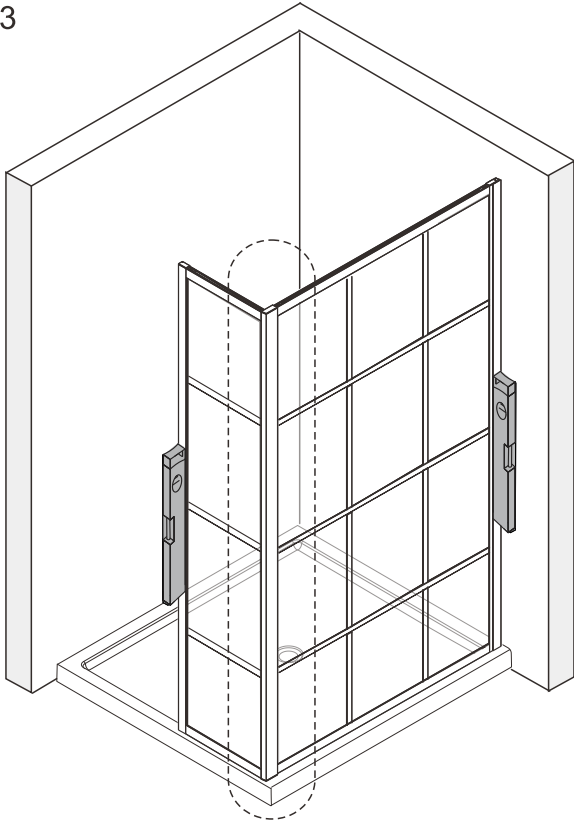
Continue

B 02



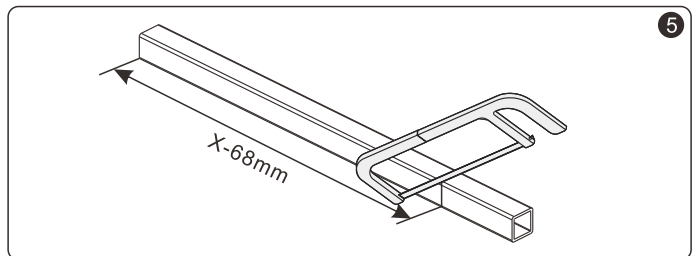
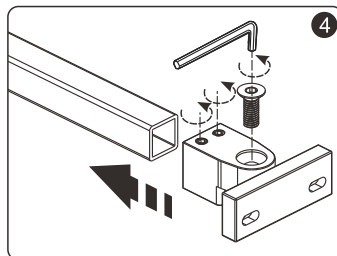
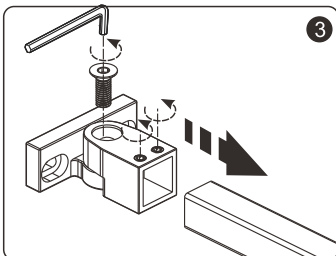
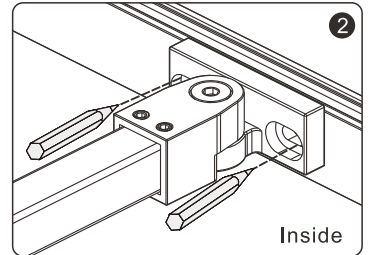
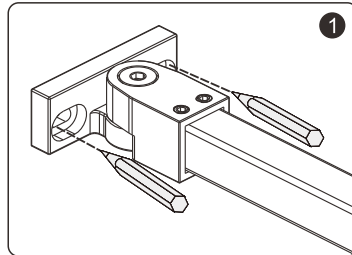
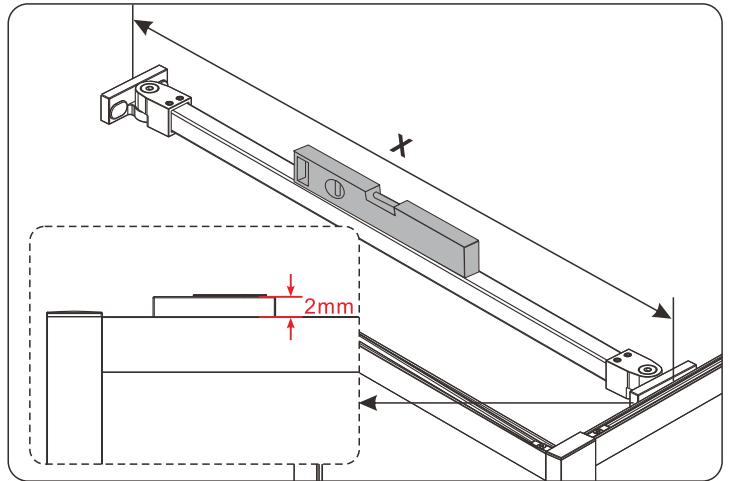
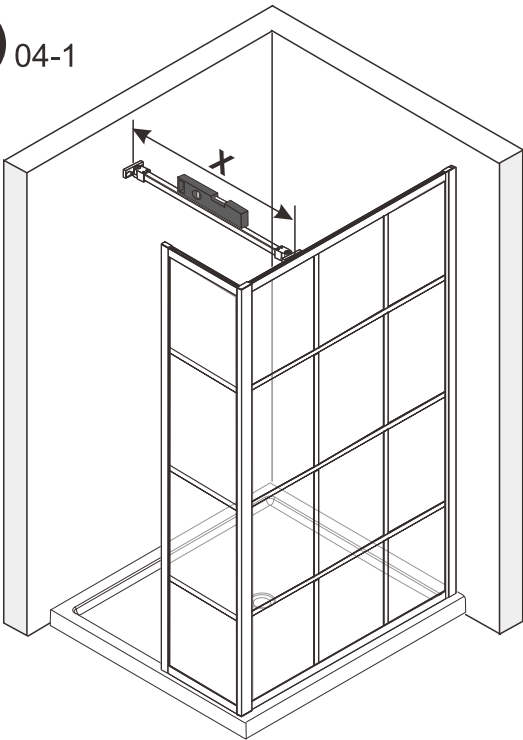
Continue

B 03



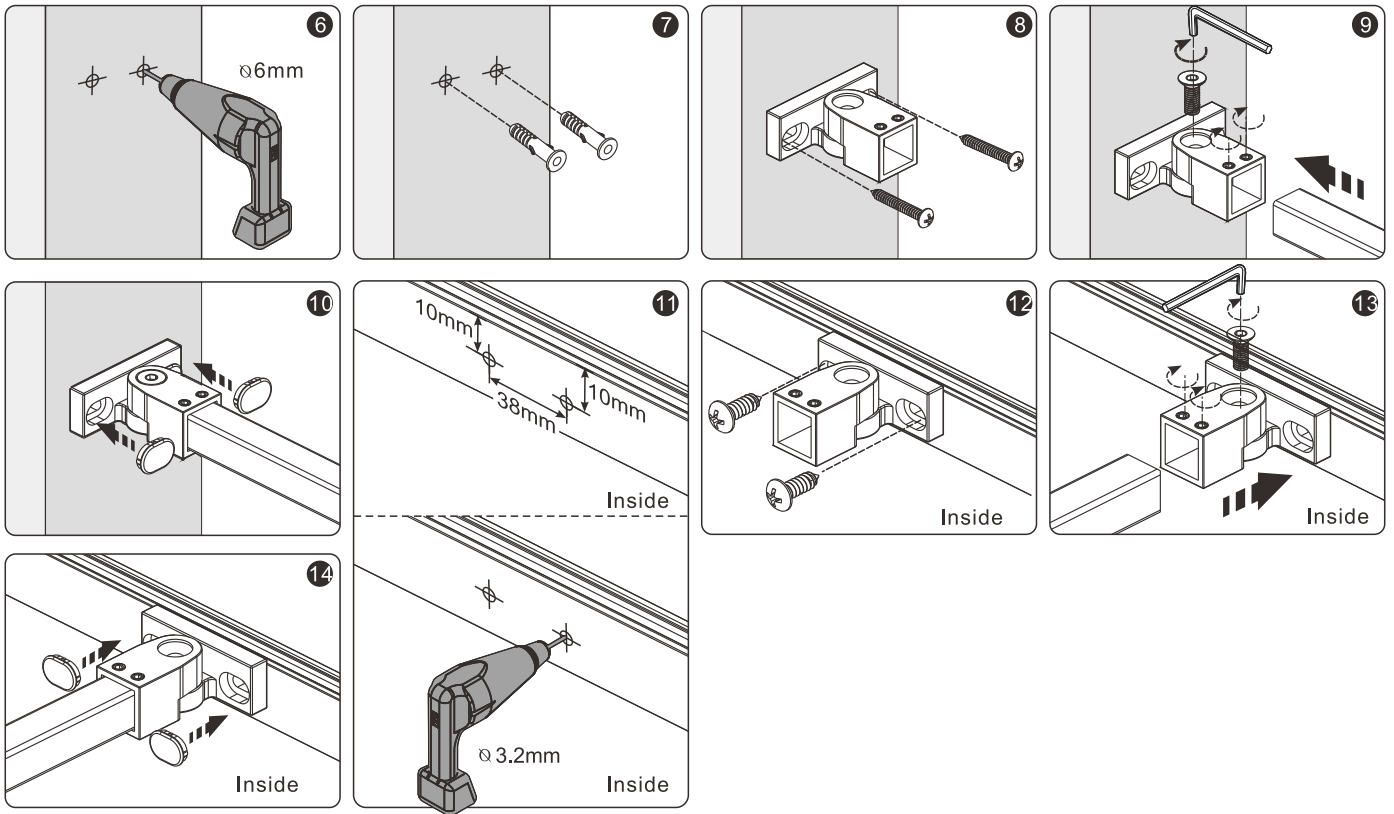
Continue

B 04-1



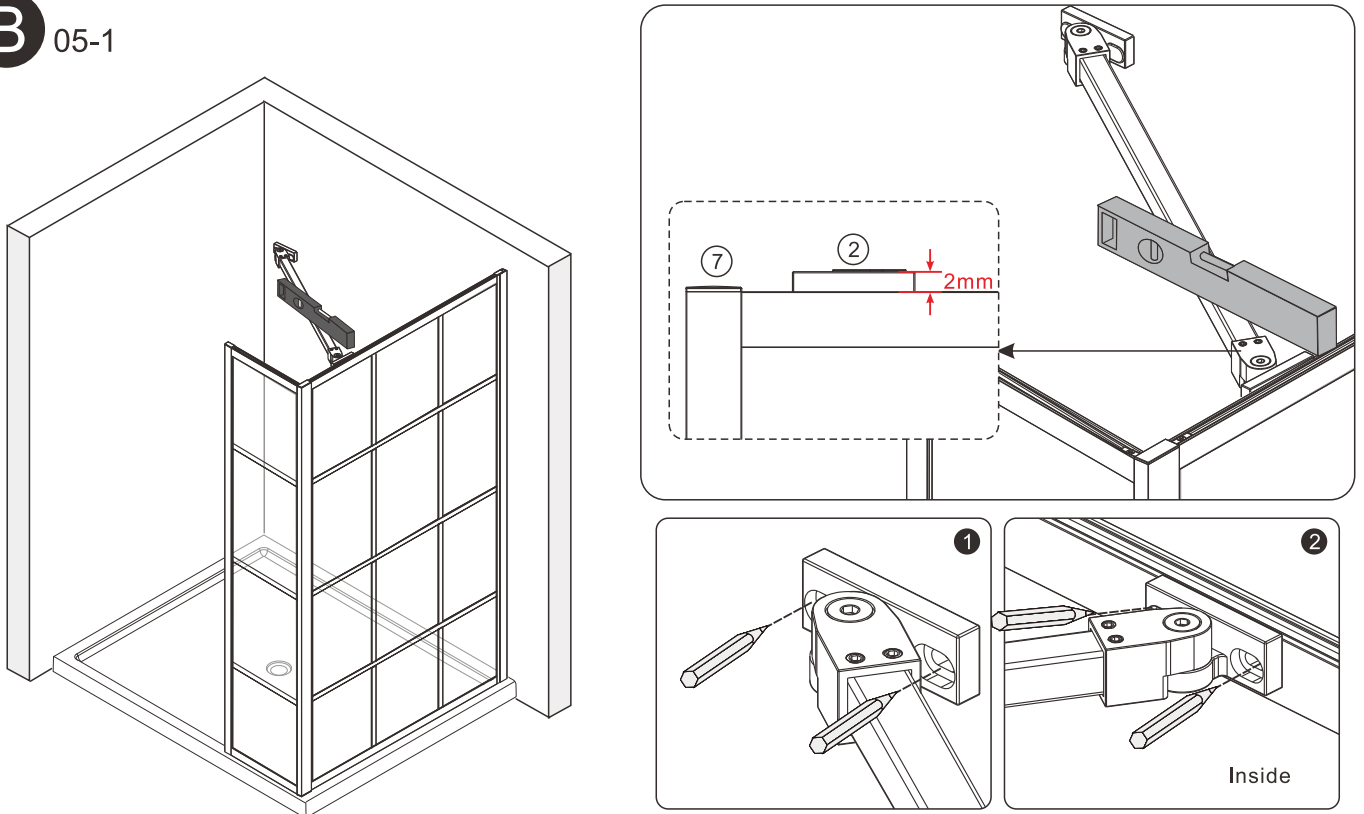
Continue

B 04-2



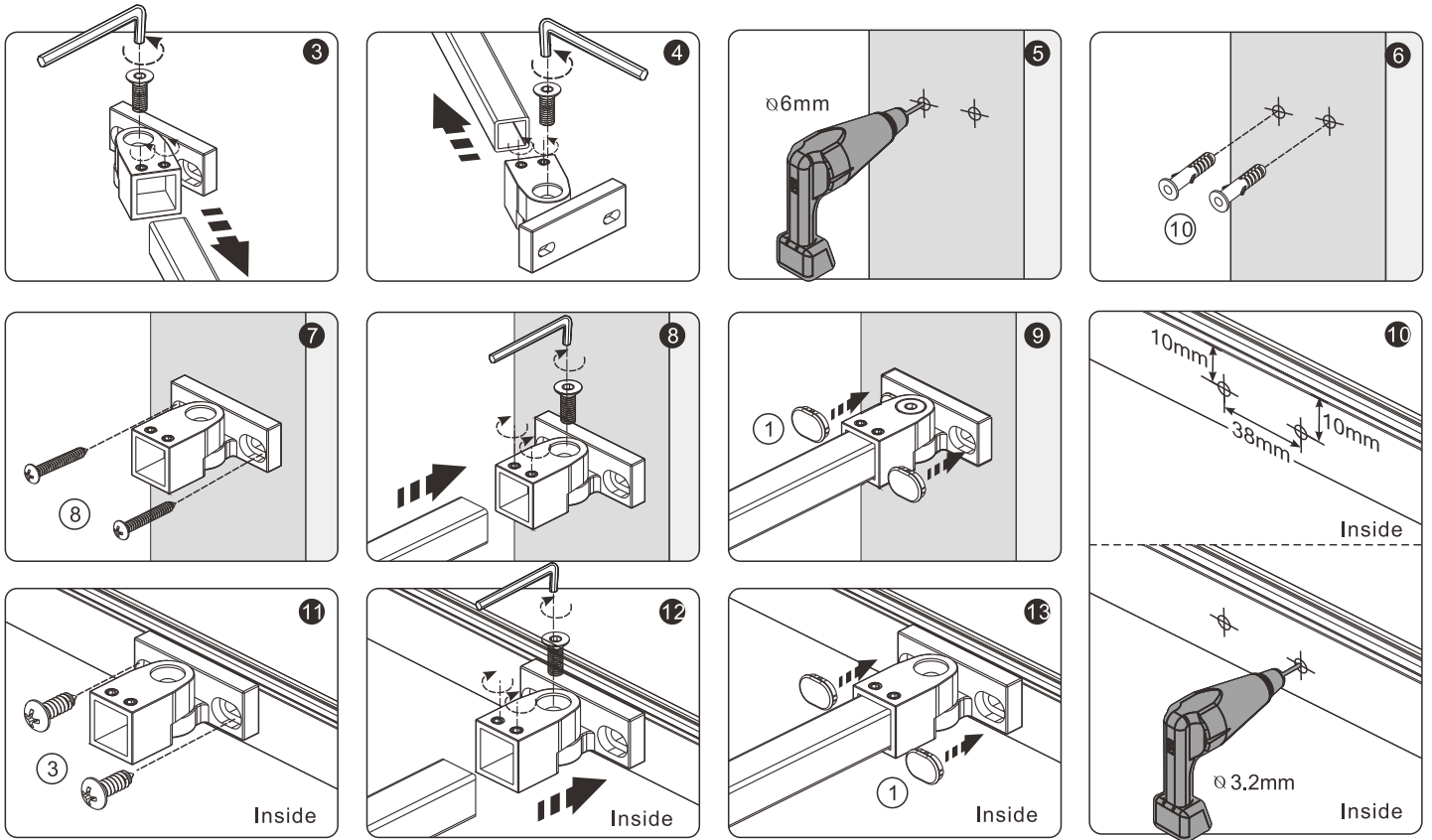
Continue

B 05-1



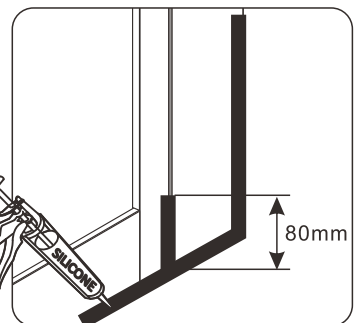
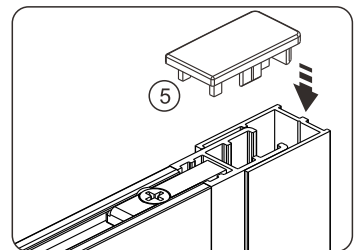
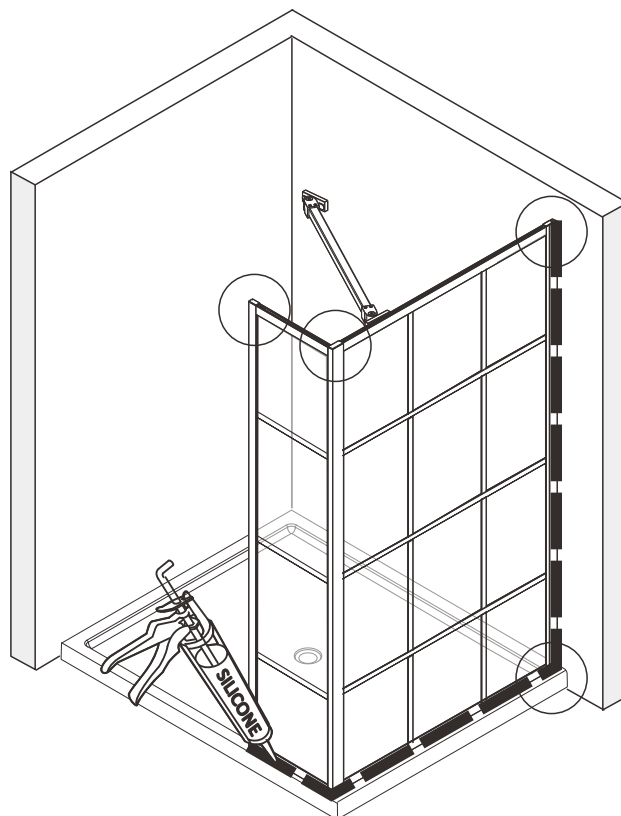
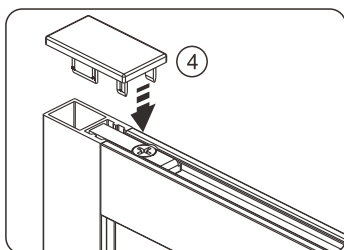
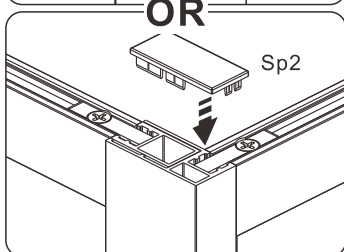
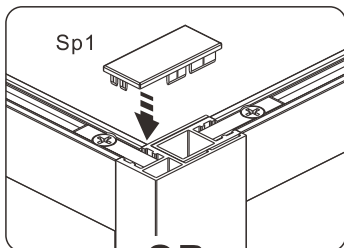
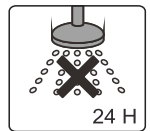
Continue

B 05-2



Continue

B 06



Maintenance & Cleaning

Use a PH-neutral cleaning agent to maintain and clean the surface of your product. Not to use alkaline, solvent, acid and chloric or scrubbing agents.

To maintain the surface of your product, wipe with a clean damp cloth and wipe dry, do not use any abrasive cleaning agents or materials. If any harsh chemicals come into contact with the surface of the product, rinse and wipe clean immediately.

For more information

- visit betterbathrooms.com
- email customerservices@buyitdirect.co.uk
- call 03303903062
- write to Trident Business Park, Neptune Way, Huddersfield, HD2 1UA

better 
bathrooms

Part of the BuyItDirect Group

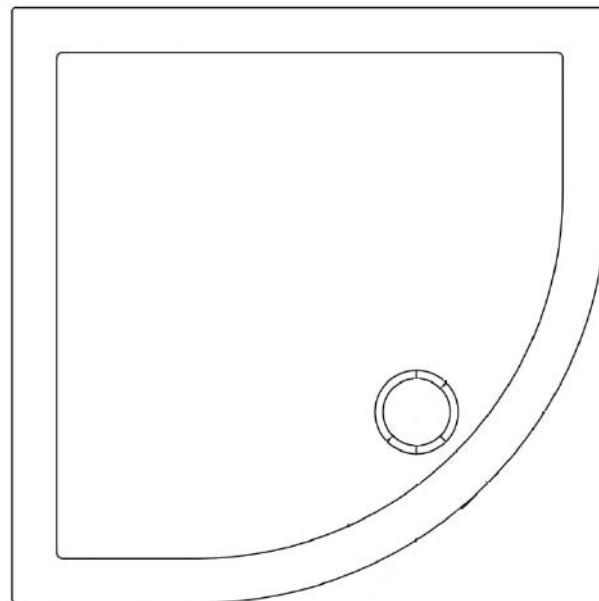
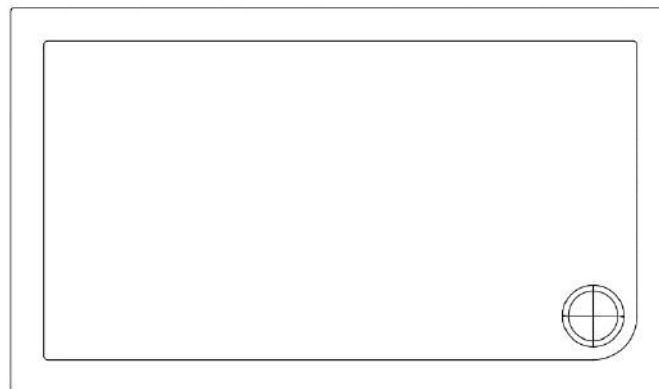
USER MANUAL



Thank you for choosing Better Bathrooms.
Please read this manual before installing your product
and keep for future reference.

better 
bathrooms

Shower Trays



- **Single-person assembly**
- **We always recommend using professional tradespeople to install your product**

V1_18.11.2020

Congratulations on your purchase

And welcome to our growing gang of savvy shoppers

We're on a mission to bring you extraordinary bathroom products, for less. From modern to traditional style ceramics, plus the gorgeous fixtures, fittings and furniture to match. So, you can fall in love with your space every single day.

As one of the UK's largest independent bathroom stores, we've received countless awards; including the National Business Awards UK, the Digital Entrepreneur Awards and being placed on The Sunday Times Fast Track 100.

We hope your new product exceeds your highest expectations. However, if you experience any problems, please:

- call our friendly UK call centre on **03303903062** (9am-7pm Monday to Friday, or 10am-4pm Saturday and Sunday), or
- send us a message via **customerservices@buyitdirect.co.uk**

Important information

Please fully read these installation procedures and familiarise yourself with the components before commencement

Inspect the product immediately and fully upon receipt, and prior to installation for transit damage or any defects. Your tray comes with a protective film. Peel back to inspect and then replace.

Note! Weights may vary due to the manufacturing process by +/- 10% of the stated weight. An amount of deviation can be expected on this type of product especially on the larger trays.

Shower Tray installation onto a timber floor.

It is recommended that all flat top shower trays are installed before tiling to ensure that the top radius of the tray is behind or at least below the tile face. This will help to create a water tight seal (Fig 5). Carefully lower the tray into the chosen position, then mark the floor for the waste opening (Fig 2). Check below the floor level to ensure that there is adequate access for the waste and pipe work. If an obstruction is found, drill a hole and make provision in the floor of a sufficient diameter to allow the entire waste coupling to fall below the floor level. Make sure the floorboards are securely fixed. If this is not possible, use 18/20mm thick green grade chipboard, cut to the size of the tray and fix in place.

Caution!! Before attempting to secure any loose floorboards or the chipboard to the floorboards, check that there are no pipes or electrical connections beneath the floor level.

Seal the installation area with a suitable clear waterproofing agent. So that the tray is bedded completely level the tray area has to be FULLY COVERED with an 8mm minimum thickness of weak cement mix (Fig 3). The minimum thickness of mortar at the lowest point should be 5mm after the tray has been levelled. Check that the top of the tray is level (Fig 4). Ensure that the entire base of the tray is fully supported as the base of the tray may not be entirely level. This is due to the manufacturing process. Note the base of the tray has a built-in fall to allow for drainage. When the cement has set, make the connection between the shower tray and the waste pipe. The shower tray and all connections MUST now be checked for water tightness, flow and adequate drainage over the entire area. It is recommended that you use a suitable silicone sealant around the waste to create a watertight seal. DO NOT PROCEED IF NOT SATISFIED.

How To Mix Up A Standard Mortar Mix

1 part ordinary cement to 5 parts soft sand. Mix the two together on a smooth hard surface. Measure the sand and then add the cement on top. Turn them together until they make a uniform colour. Make a crater and add water gradually. Turn the mix into the water to a flexible consistency. It must not be runny! In the case of a flat top shower tray, it is advised that all the tray to wall joints are now sealed with a bead of silicone sealant, once this has been done the walls can be tiled. Ensure that you apply an additional bead of silicone sealant between the tray and the tiles, prior to fitting the wall channels (Fig 5).

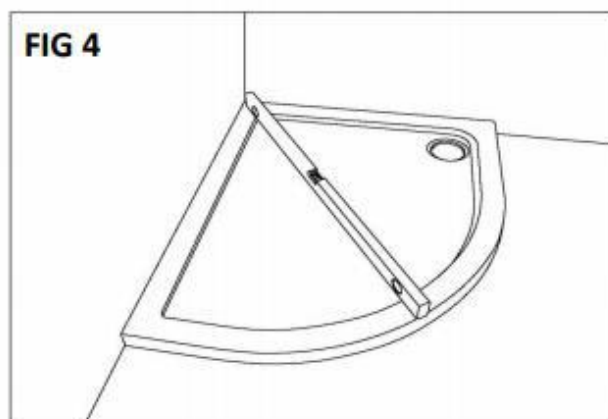
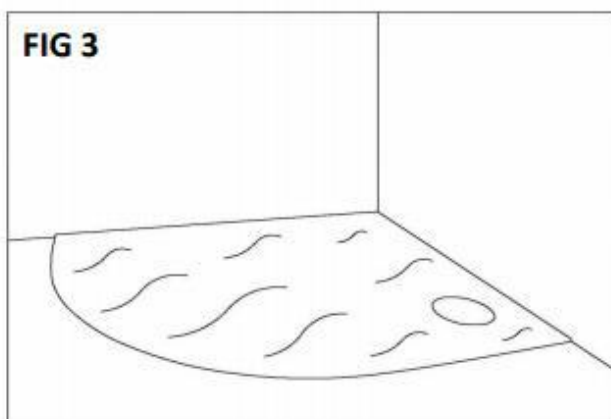
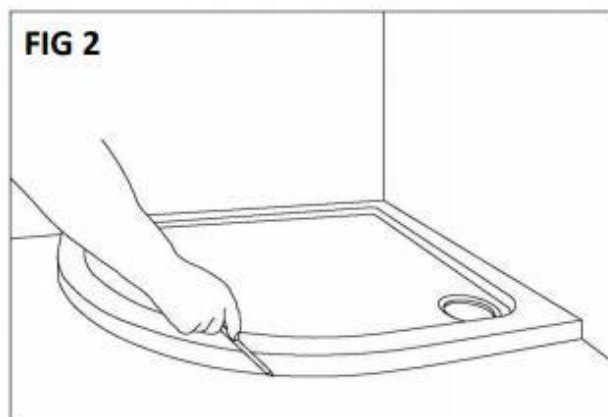
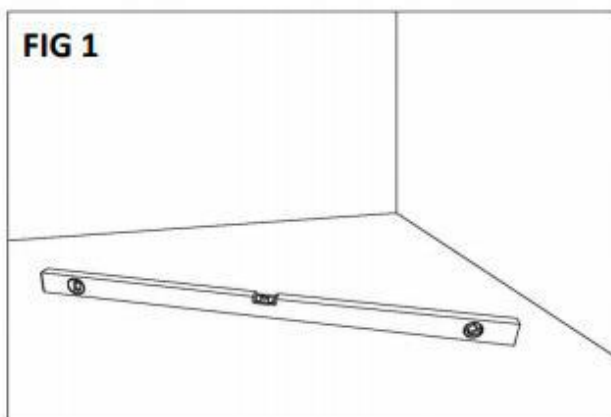
Allow 24 hours after installation for the silicone to dry before sue.

Installation onto a Solid or Restricted Access Floor

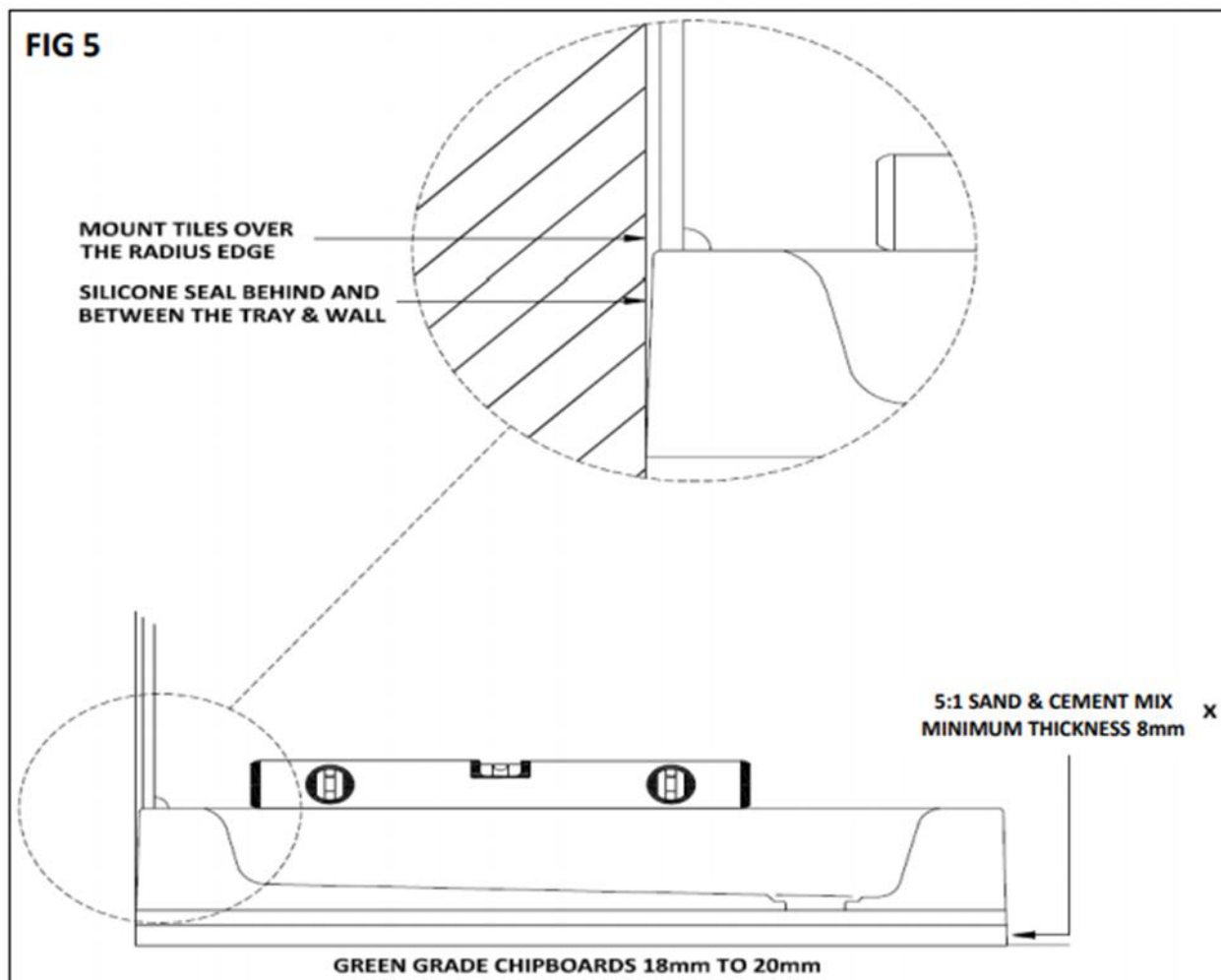
Where it is difficult to run a waste assembly under the floor, we recommend that you utilise our Universal Leg Set & Panel Kit. This is designed and specified for such installations to support the tray and give access to the waste behind removable panels.

Note! For all trays fitted with 'easy plumb' leg kits, we recommend that you baton the wall to add additional support. For trays 1400mm and above, additional support must be given by cutting a board (11mm min thickness) to suit the size of tray and allowing enough space for the plinth clips to be fitted (not supplied). Fix panel to the underside using a compound adhesive or similar.

Parts / Diagrams



Always tile down onto the tray



Wipe clean regularly, don't not use abrasive cleaning agents or materials on the surface.

For more information

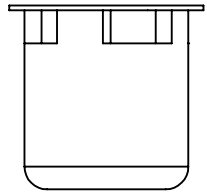
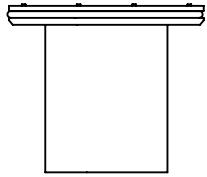
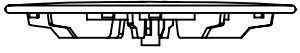
- visit betterbathrooms.com
- email customerservices@buyitdirect.co.uk
- call 03303903062
- write to Trident Business Park, Neptune Way, Huddersfield, HD2 1UA

**better
bathrooms**

Part of the BuyItDirect Group

90mm Shower Waste Installation & Assembly Instruction

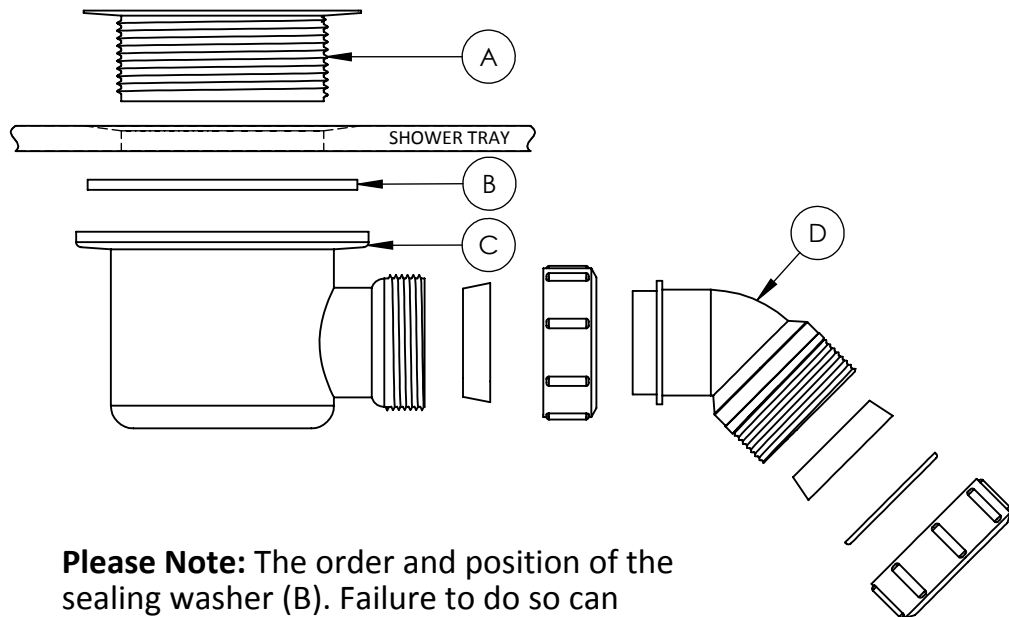
1. Trap Assembly



This waste provides a flow rate greater than 24L per minute under a 15mm water load. The flow rate can be seriously impaired if an adequate fall is not maintained throughout the length of the waste pipe.

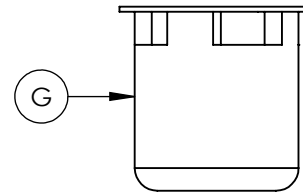
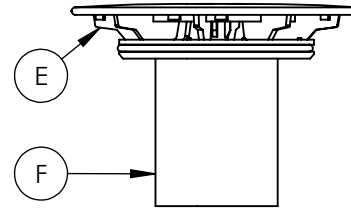
Install the trap into the shower tray by assembling A, B, C & D as illustrated.

Connect the trap outlet (D) to waste pipe ensuring that the pipe is adequately supported. Test the installation.



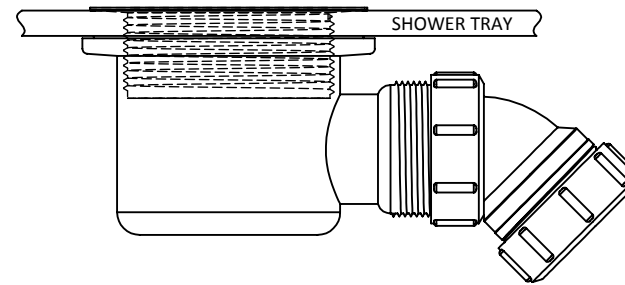
Please Note: The order and position of the sealing washer (B). Failure to do so can result in water leakage.

2. Trap Fitting



Insert the cup and trap (F&G). Push down firmly to ensure the trap is in the the bottom position.

Note: If silicone sealant is used, it should be a neutral sealant and not an acetoxy sealant.



3. Completed Assembly

After Care: Regular maintainance is essentail to retaining a high performance flow rate. Remove flange (E) and trap assembly (F&G) and thoroughly clean all the parts. Flush through the trap body with clean water and carefully replace the parts.

